

# CertainTeed

# Cedar Impressions®

## Single 7" Perfection Shingles

## Installation Instructions

### Installation Guidelines for Cedar Impressions Single 7" Perfection Shingles

These instructions describe and illustrate the steps involved in installing CertainTeed Cedar Impressions S7" Perfection Shingles and trim. Their purpose is to provide detailed information and how-to tips that will simplify the installation process. CertainTeed shall not accept any liability or responsibility under its written warranty for failure caused by application that does not meet our minimum requirements for proper installation. These requirements are outlined throughout the CertainTeed Installation Guide (CTS205). Any deviations from these requirements should be approved in writing by CertainTeed Corporation.

#### Important

**This product is not designed for roof application. It is designed solely for installation on vertical surfaces. Panels must be installed with nails over a solid substrate with nail holding strength such as plywood, oriented strand board, or existing wood siding (minimum 7/16" thick). This product cannot be installed with staples.**

**NOTE: Each panel must be nailed through the round hole in the center of the nail hem to control the direction of normal expansion and contraction. If you are installing a partial panel and the center nail hole has been cut off, drill a nail hole in the center of the nail hem of the cut panel and nail through it.**

#### Tool and Fastener Requirements

##### Tools required

- Hammer
- Shears
- Tape measure
- Chop saw with sharp, 40-tooth carbide blade
- Square
- Chalk line
- Level
- Utility knife

#### Panel Spacing at Different Temperatures

As with any plastic siding, Cedar Impressions® expands and contracts with changes in temperature. For this reason, it is important that you space the panels according to the panel temperature at the time of installation. Failure to provide the proper spacing according to these temperature ranges may result in gaps that are too large or too small, thereby creating the potential for panel distortion, or buckling. Spacing of panels previously installed at a different temperature does not require adjustment.

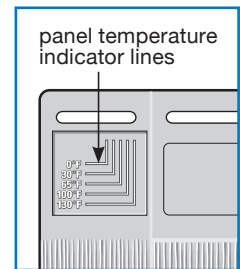


figure 1

Each panel has a PanelThermometer™ that displays panel temperature and indicator lines that serve as guides for proper spacing between the panels. The PanelThermometer is located on the upper right-hand corner of the panel; the indicator lines are on the upper left-hand corner (*figure 1*). Note that the panel temperature may change throughout the day. Space the panels according to the panel temperature at the time of installation. The cells on the PanelThermometer will change color to indicate the temperature of the panel.

#### PanelThermometer Temperature Reading Indicator Lines

0 Set to 0 line

30 Set to 30 line

65 Set to 65 line

100 Set to 100 line

130 Set to 130 line

160 Butt panels tight

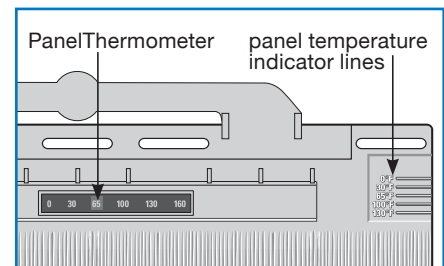


figure 2

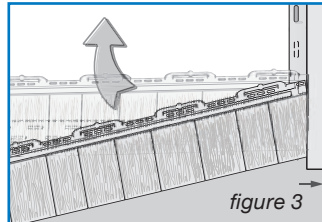
If the brighter cell is between the numbered temperature cells, position the panel between the corresponding temperature indicator lines (*figure 2*). **Example:** If the PanelThermometer reads 65, align the second panel to the 65 temperature indicator line on the first panel. If the cell between the 65 and 100 is brighter, position the panel between the 65 and 100 temperature indicator lines.

**NOTE: If two temperature cells on the PanelThermometer show a color change, use the brighter color as the indicator.**

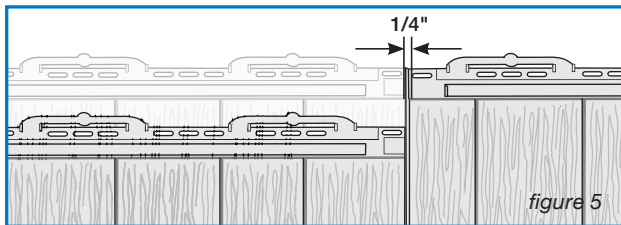
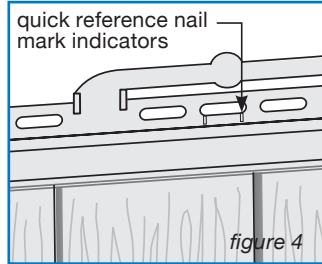
### First Course

Installation is made simpler with these easily identifiable features marked on the front the shingles.

1. Use a full panel to start your first course.
2. Starting on the right side of the wall, hook the bottom locking leg of the panel into the starter strip and slide panel into the cornerpost or receiving channel (*figure 3*). Leave 1/4" space between the panel and the corner for expansion. If you are planning to install the Mitered Cornerpost, space the panel 3" from the corner.



3. Fasten the panel to the wall by first nailing through the round center hole in the nailing hem at the top of the panel. Continue nailing the panel with 5 nails: one in the right-end nail slot and one at each of the QuickReference™ Nail Mark Indicators (*figure 4*). Leave 1/8" to 1/16" between the nail heads and the panel to allow freedom of movement during normal expansion and contraction. The S7 panel features NailStop™ to guide in correct nail head clearance.



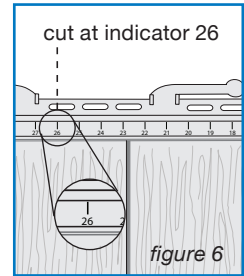
4. Install the next panel by positioning it below the starter strip and next to the first panel. Push in and up to lock the panel into the starter strip, as shown in *figure 5*. Space the second panel according to the panel temperature at the corresponding temperature indicator lines (*figure 1*). Gently tap the outside of the

HammerTapper™ ribs to properly position the panel left or right.

5. Nail the panel into position starting with the round center hole and then placing the next nail in the right-end nail slot (which overlaps the previous panel's left-end slot) so that the nail goes through both panels' nail slots simultaneously. Continue nailing the rest of the panel using the procedure in step 3.
6. Continue to install remaining panels of first course as described in steps 3 through 5.

### Second Course

7. Cut 26" off of the right side of the S7 panel at indicator 26, which is located on the hanger below the nail slots, cutting straight through the panel (*figure 6*). Drill a 3/16" hole in the center of the nail hem and nail siding through this hole to control direction of expansion and contraction.



8. Set the spacing using the PanelThermometer and temperature indicator lines. Another option is to nail each end of a nail slot located at the center of the panel. and repeat steps 4-6.

### Third Course

9. Cut 50" off of the right side of the S7 panel at indicator 50, which is located on the hanger below the nail slots, cutting straight through the panel. Drill a 3/16" hole in the center of the nail hem and nail siding through this hole to control direction of expansion and contraction. Another option is to nail each end of a nail slot located at the center of the panel.

Continue to stagger panel courses according to steps 1 and 9, repeating the same process of 1st course, 2nd course, 3rd course to ensure a random shingle pattern up the wall (*figure 7*).



figure 7

**NOTE: Care must be taken to not align the shingle separation when installing on a gable end. Do not follow the full, -26", -50" pattern in the gable.**

### Installing Under a Window or Opening

Install undersill trim. Cut the panel to fit under the window. Drill a 3/16" hole in the center of the nail hem. Using a snap lock punch, raise tab faces on the outside of the panel 1/4" from the trimmed edge, 6" apart.

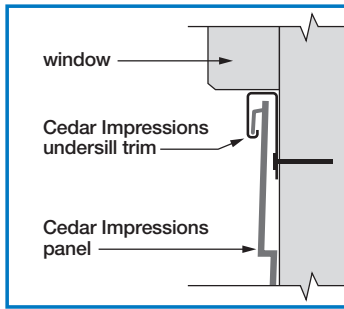


figure 8

Lock the panel into the previous course, and center nail the siding through the 3/16" hole drilled earlier. (Center nailing controls the direction of the panel's expansion and contraction.) Lock the panel into place (figure 8).

### Installing Over a Window or Opening

Cut the panel to fit over the window by measuring from the locking tab of the previous row to the bottom of the receiving pocket (figure 9). Add 1/8" to this measurement. Turn the panel over and, using this measurement, measure from the bottom of the return leg (figure 10).

Cut the panel to this dimension. Install the cut panel by positioning the panel over the window and into the receiving pocket. Lock the cut panel into the previous course by pushing in and up. The cut edge should be 1/4" below the top of the receiving pocket.

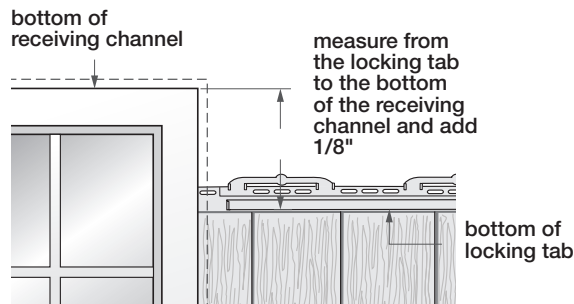


figure 9

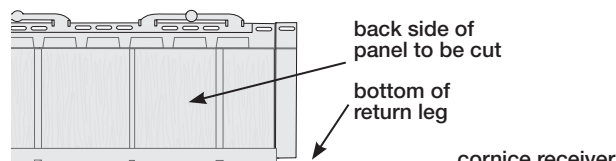


figure 10

### Finishing the Top Course

To finish the top course of siding, attach cornice receiver to the top of the wall under the eave or soffit. Trim the top panel to within 1/4" of the cornice receiver. Using a nail slot punch, punch nail slots 1/4" from the trimmed edge, 16" apart. Nail off the top course and snap the cornice molding into the cornice receiver (figure 11).

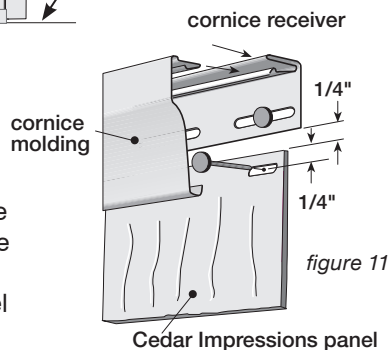


figure 11

### Installing Mitered Offset Cornerpost

Before applying siding and accessories, make certain the substrate is watertight. To be properly protected from precipitation, make sure you have properly flashed the substrate so that it sheds water outside the siding. The siding and accessories alone are not meant to be a watertight barrier.

For the best appearance and easier installation, we suggest you install the Mitered Offset Cornerpost as you move up the wall. If you prefer, you can install Mitered Offset Cornerposts after the siding has been installed.

1. Install the first Cedar Impressions panel 3" from the edge of the outside wall (figure 12).

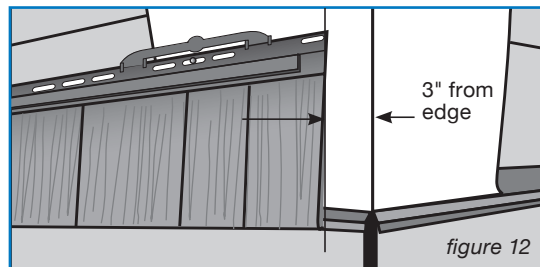


figure 12

2. Once the panel has been fastened, hook the corner "A" over the siding, making sure the corner piece is locked into the starter strip (figure 13).

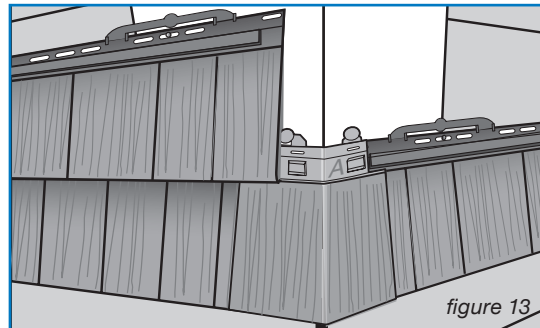


figure 13

3. Nail through the top two holes of the cornerpost.
4. Continue installing the corner pieces as you move up the wall. Following the pattern of A, B, C, D and then repeat (figure 14).

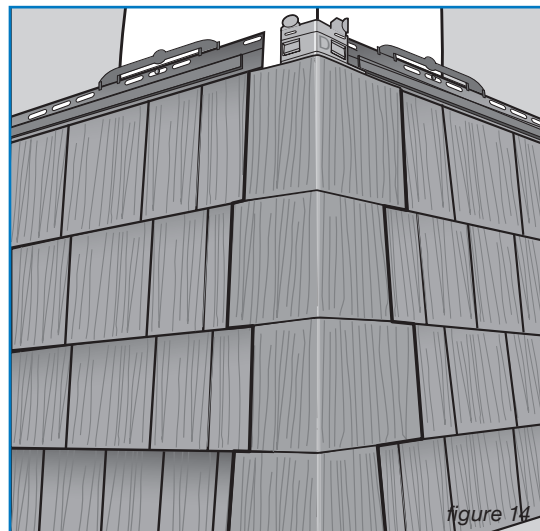
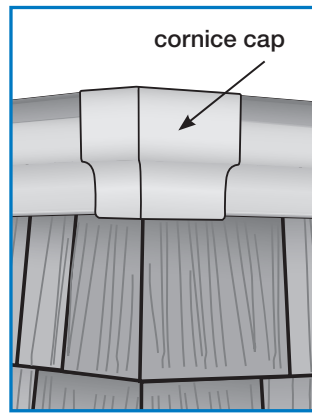
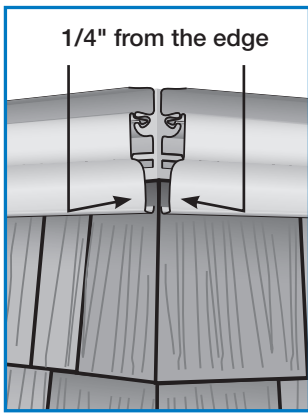


figure 14



Similar to the top course under a soffit or window, cut shingles to appropriate angle, pre-drill and fasten using at least two staples or nails. Apply a trim board over the shingles to conceal the fasteners.

**If you have any questions about installing these products, please call us at 800-233-8990.**

**Estimating: Refer to CertainTeed Vinyl and Polymer Siding Installation Guide, Section 5.**

**Transporting & Storage: Refer to CertainTeed Vinyl and Polymer Siding Installation Guide, Section 4.**

**Maintenance: Refer to CertainTeed Vinyl and Polymer Siding Installation Guide, Section 13.**

5. When you reach the top panel, cut the corner piece to length and nail it with a color matched finish nail. Leave 1/4" between the top corner piece and the cornice receiver. If a course of siding ends at an outside corner that has a Mitered Offset Cornerpost installed, you will have to cut the Cedar Impressions panel to fit.
6. Measure from the edge of the last installed panel to the edge of the Cornerpost.
7. Add 1-1/2" to this dimension and cut the panel to length.
8. Angle the panel into the Cornerpost and slide it to the left.
9. Then, slide the panel to the right until the correct temperature marks line up.
10. Fasten the panel to the wall.

**ASK ABOUT OUR OTHER CERTAINTEED® PRODUCTS AND SYSTEMS:**

ROOFING • SIDING • TRIM • DECKING • RAILING • FENCE  
 GYPSUM • CEILINGS • INSULATION

[www.certainteed.com](http://www.certainteed.com)    <http://blog.certainteed.com>

CertainTeed Corporation  
 20 Moores Road  
 Malvern, PA 19355  
**Professional:** 800-233-8990  
**Consumer:** 800-782-8777